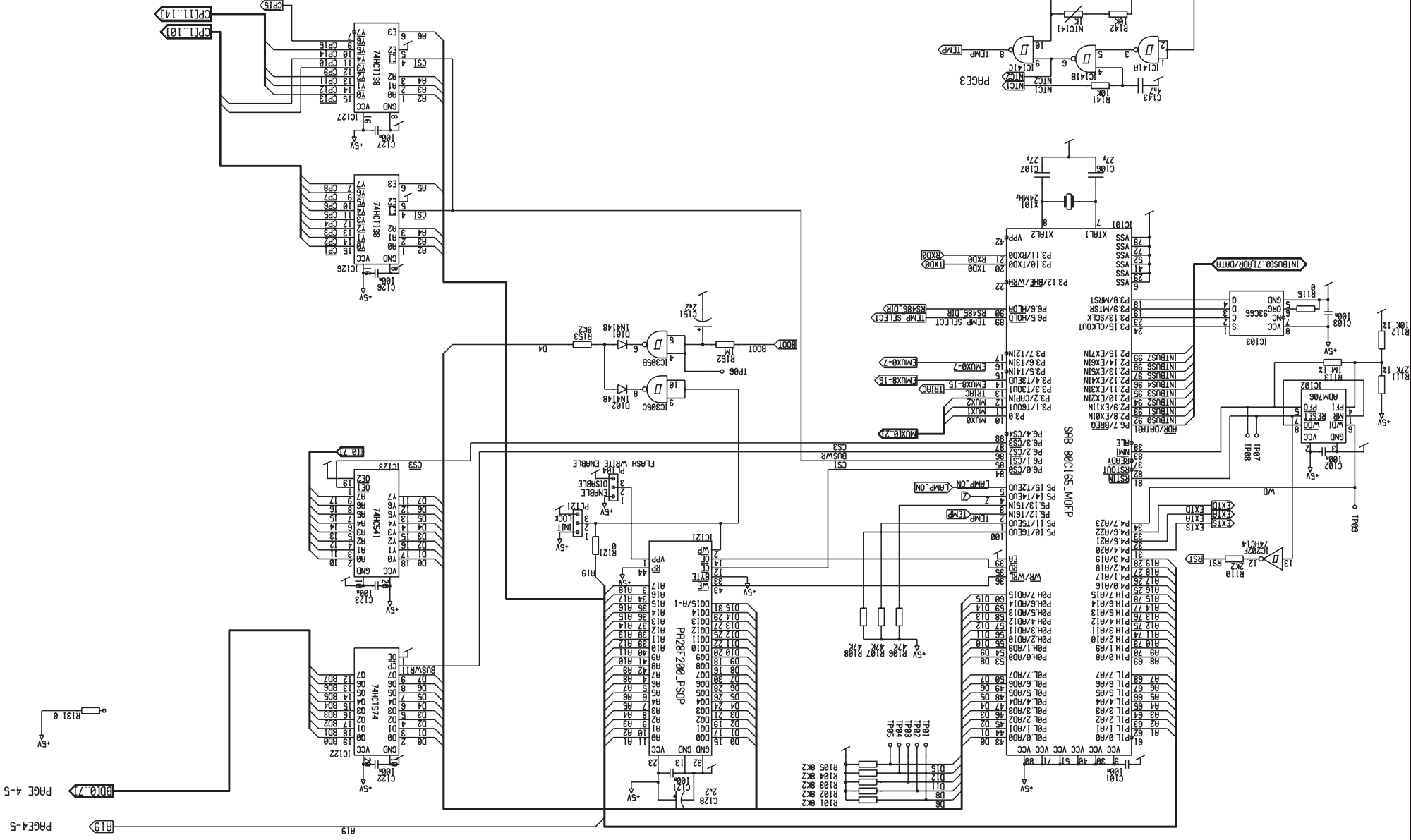
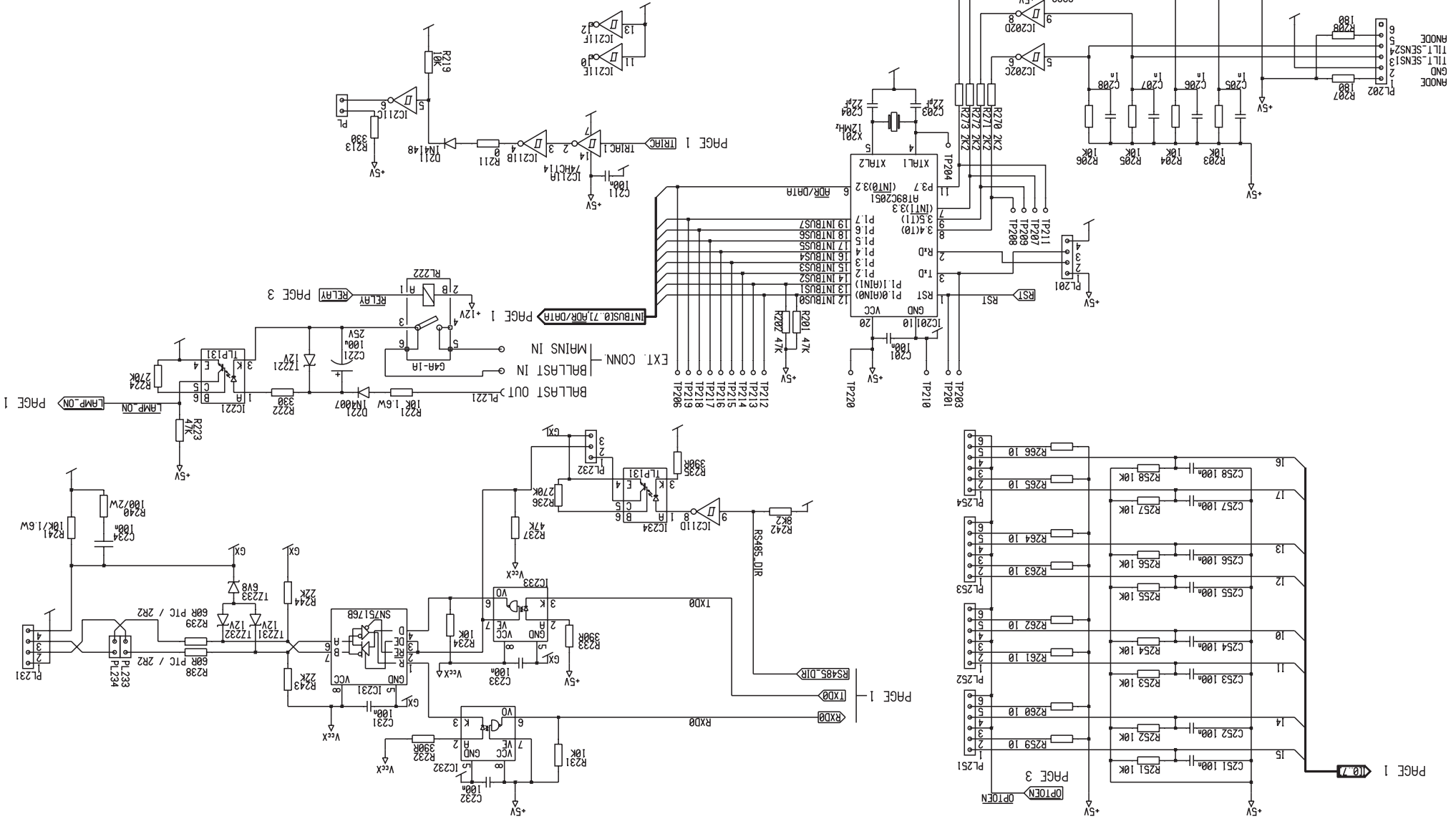


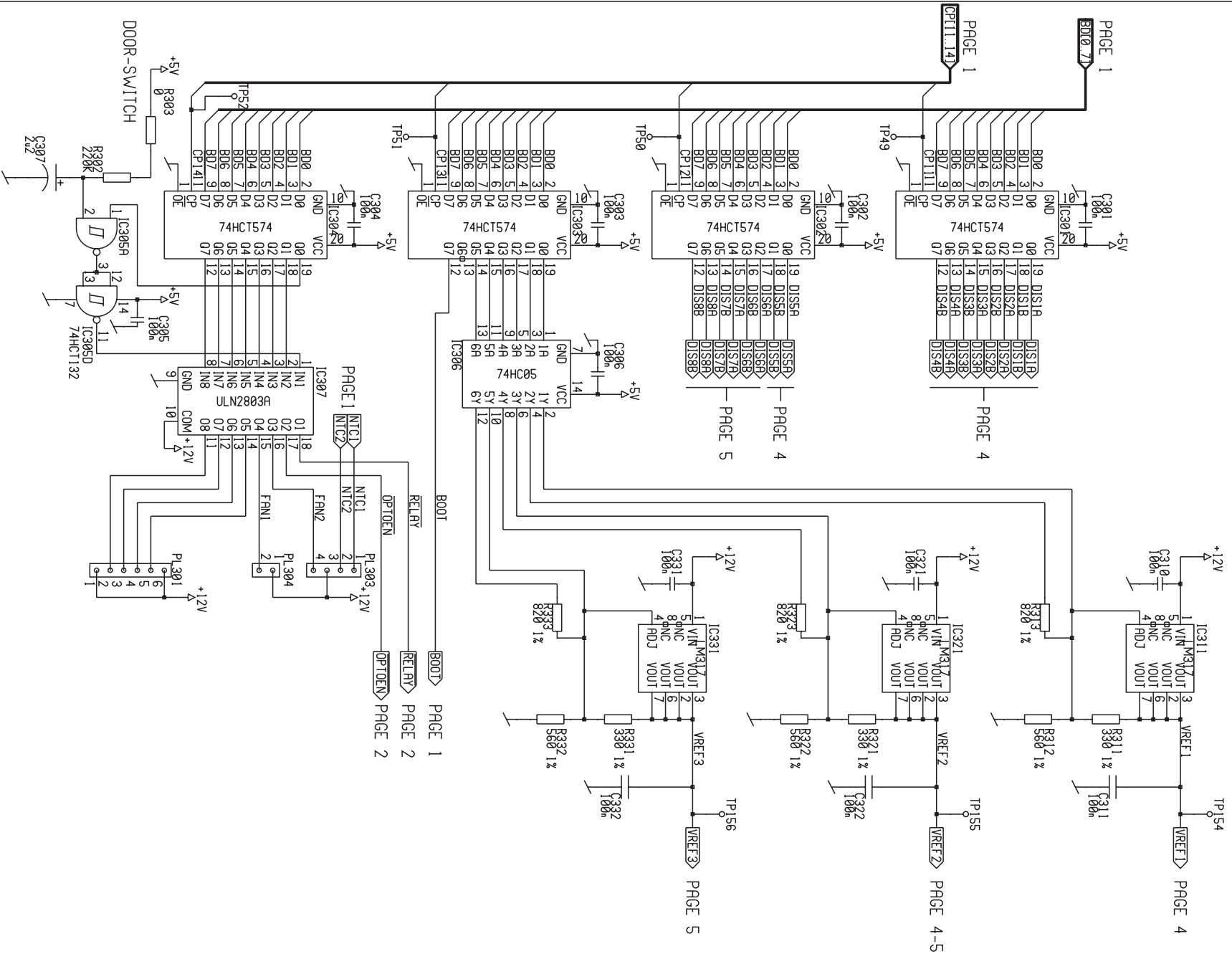
NOTE:
DO NOT USE
160V AS INPUT

PRODUCT	MAC500E		ENG	Martin Professional A/S	
NAME	55215046.SCH		REVISION	A0	PAGE 1 OF 1
			DRAWN BY	BH	
			DATE	27/04/00	TIME 15:34

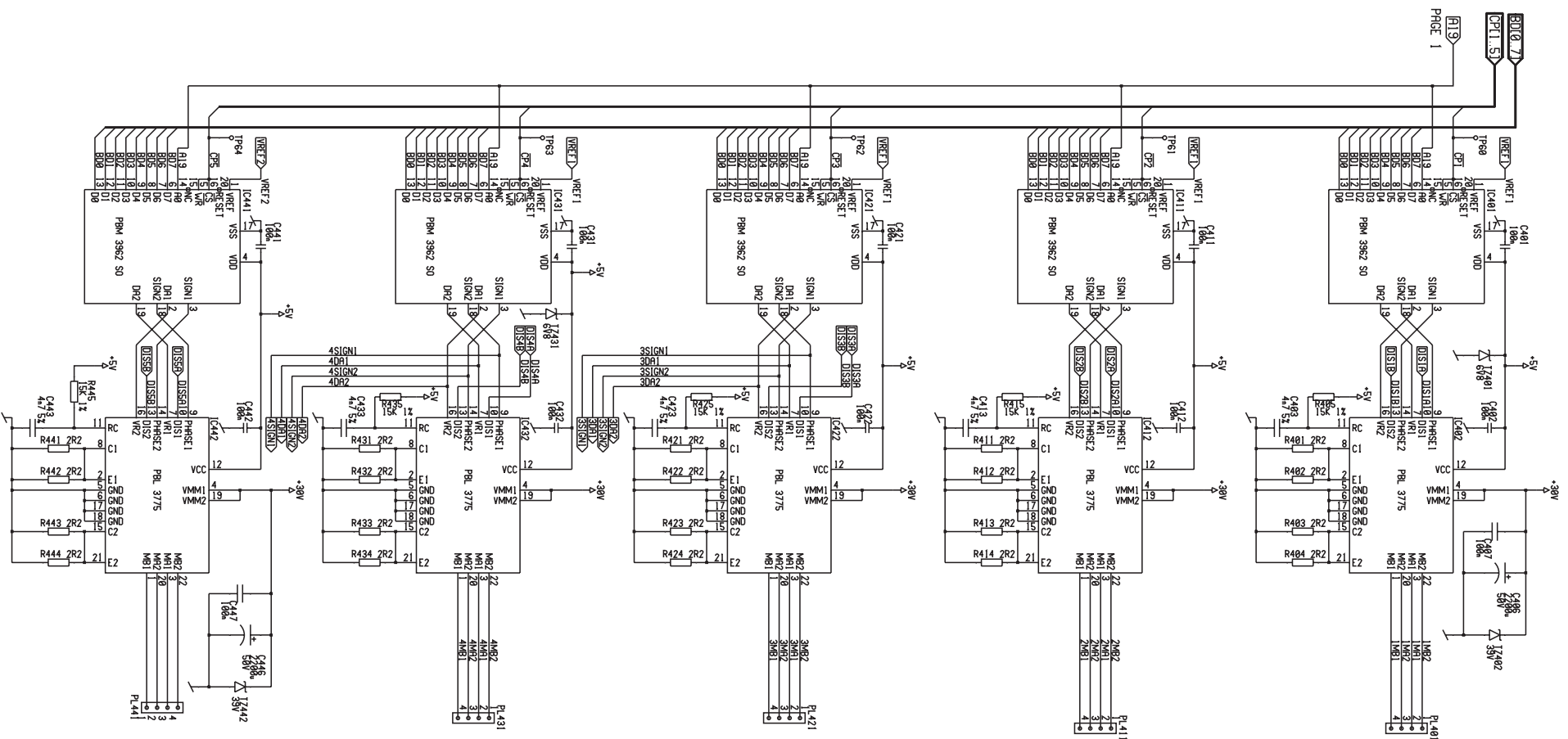


PRODUCT	MAC500
NAME	811226 SCH / 101225A.PCB
DATE	2/2/98
TIME	16:36
REVISION	00
DRAWN BY	BH
PAGE	2 OF 7
ENG.	Martin Professional A/S



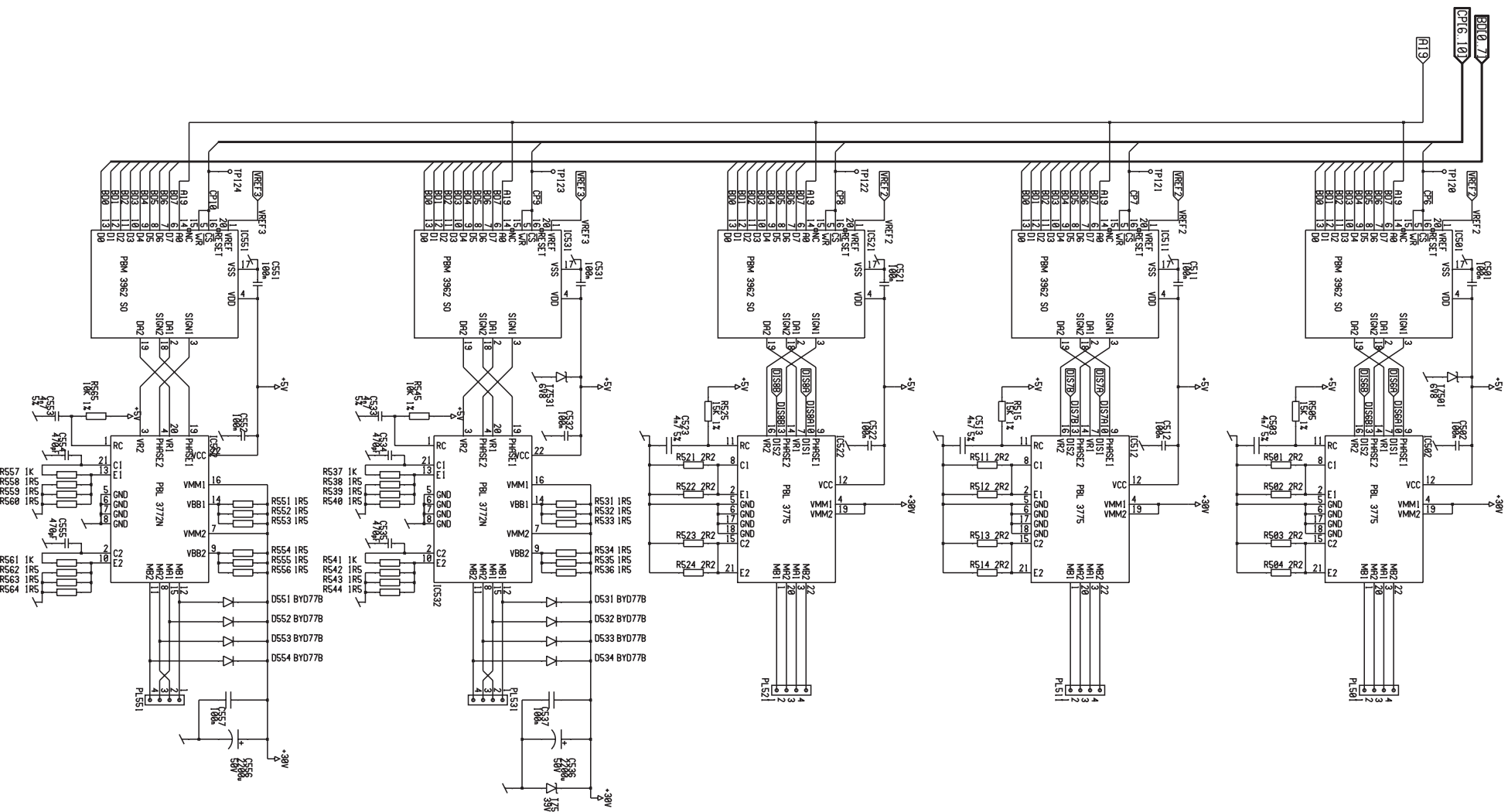


PRODUCT		MAC500		ENG		Martin Professional R/S	
CPU BOARD				REVISION A0		PAGE 3 OF 7	
NAME		811226 SCH / 101225A.PCB		DRAWN BY BH		DATE 2/2/98 TIME 16:37	



PRODUCT MFC500
 5-STEP DRIVER BOARD
 811226 SCH / 101225R PCB

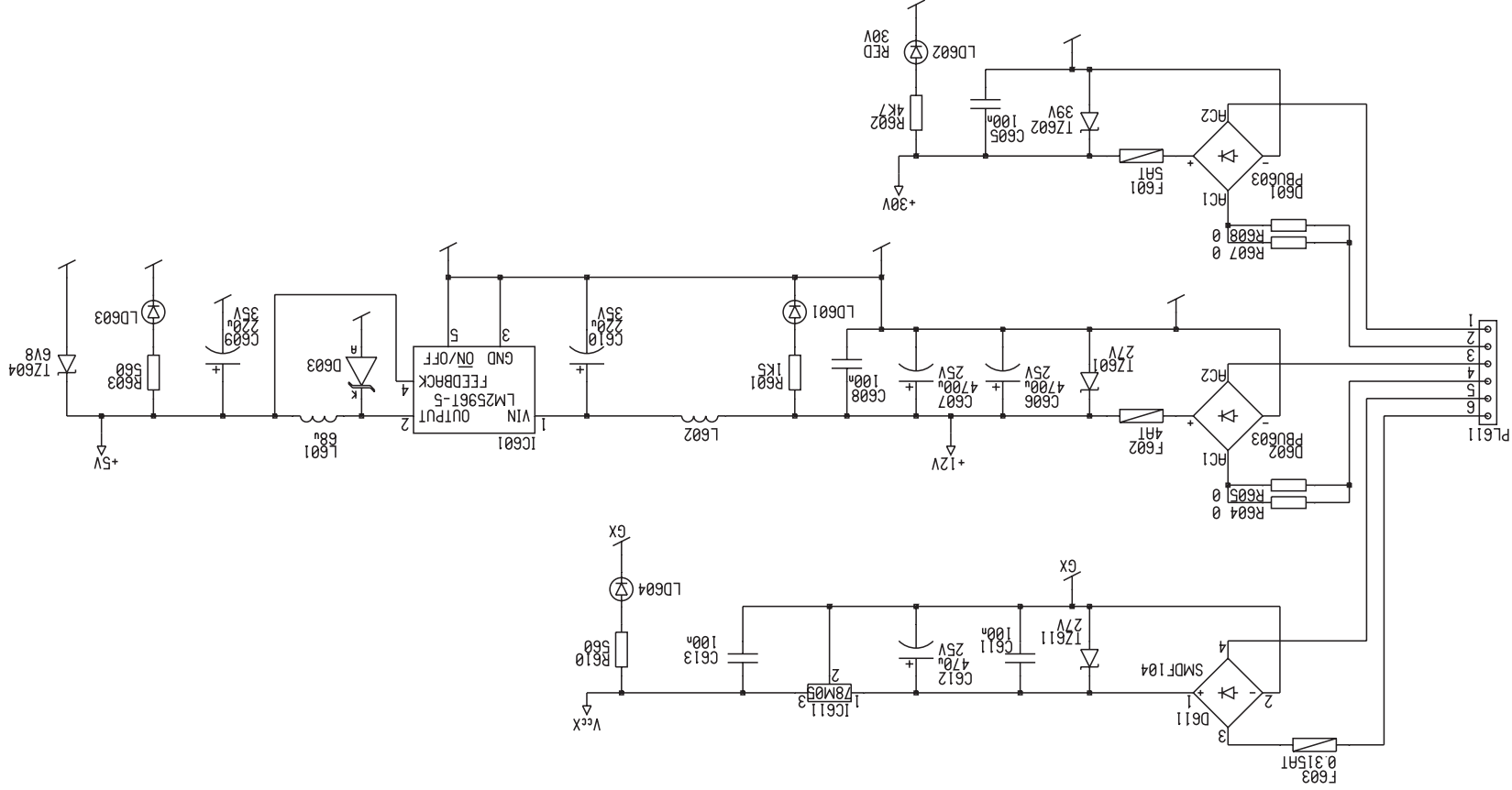
ENG: Martin Professional R/S
 REVISION #0 PAGE 4 OF 7
 DRAWN BY BH
 DATE 2/2/98 TIME 16:37

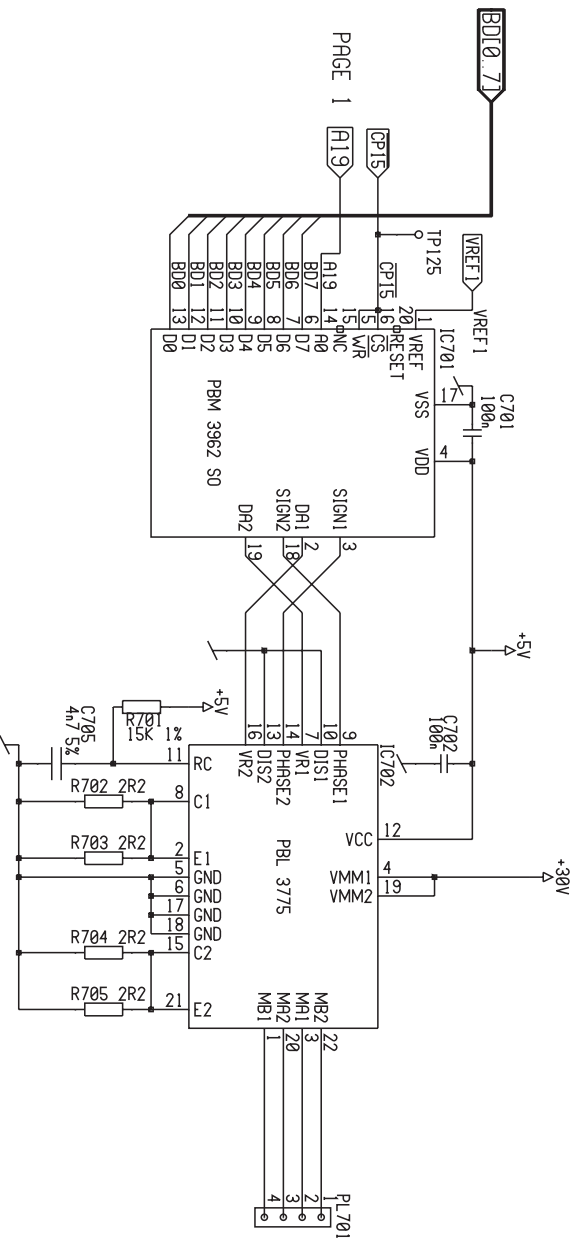


PRODUCT: MFC500
 5-STEP DRIVER BOARD
 PART NUMBER: 811226 SCH / 101225A PCB

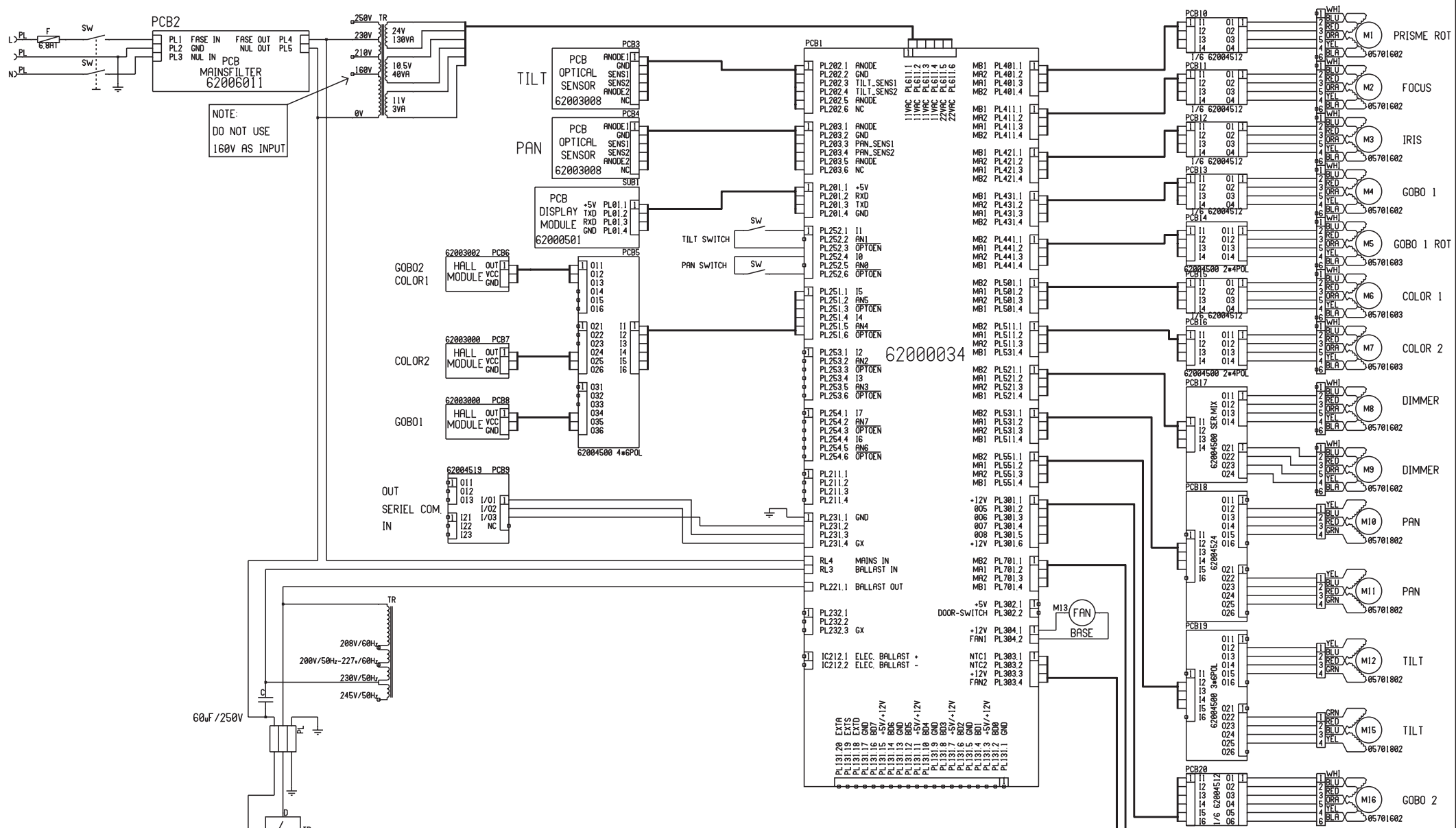
ENGINEER: Martin Professional A/S
 REVISION A0 PAGE 5 OF 7
 DRAWN BY BH
 DATE 2/2/98 TIME 16:37

PRODUCT	MAC500	NAME	811226.SCH / 101225A.PCB
ENG	Martin Professional A/S	DRAWN BY	BH
REVISION	00	DATE	2/2/98
PAGE	6	TIME	16:37
OF	7		

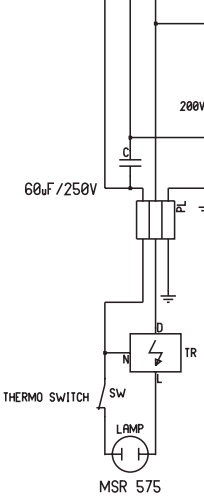




PRODUCT	MAC500		ENG	Martin Professional R/S	
	MAIN BOARD		REVISION A0	PAGE 7	OF 7
APR 81	1226.SCH / 101225A.PCB		DATE 2/2/98	TIME 16:37	



NOTE:
DO NOT USE
160V AS INPUT



PRODUCT	MAC500		ENG	Martin Professional A/S	
REVISION	A1	PAGE 1 OF 2	DRAWN BY	BH	
NAME	55215044.SCH		DATE	27/04/00	TIME 15:33